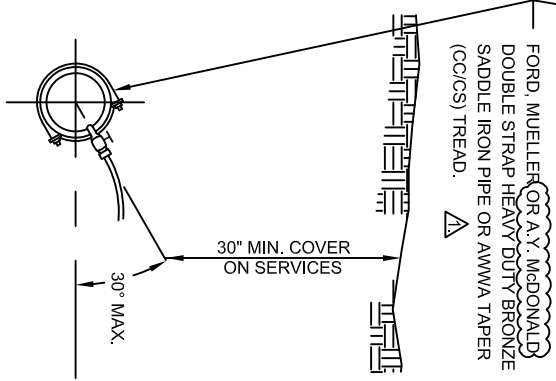
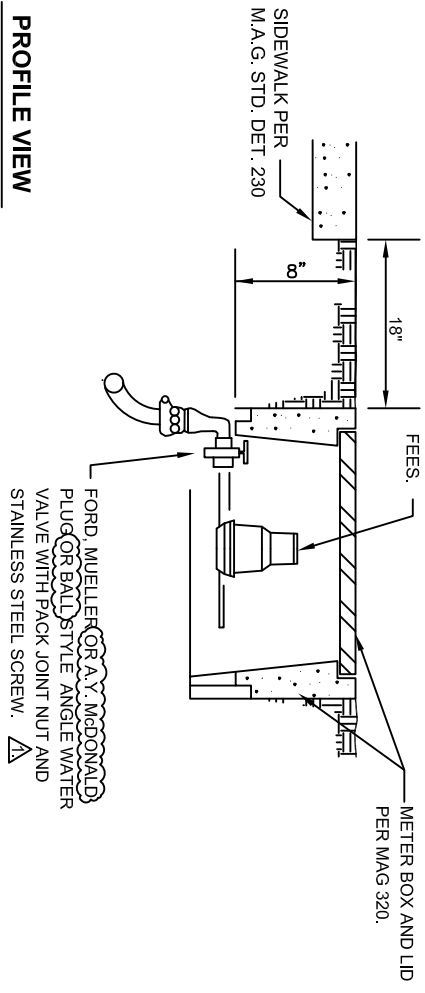


PLAN VIEW



PROFILE VIEW





NOTE: METERS TO BE INSTALLED BY CITY FORCES ONLY. UPON PROPER APPLICATION AND PAYMENT OF PREVAILING FEES.

NOTE: FOR 1" 1-1/2" AND 2" WATER SERVICE CONNECTIONS TO 8" OR LARGER WATER MAINS.

1. ALL TAPS MUST BE MADE BY USING A SERVICE SADDLE AS SHOWN.
2. CONTRACTOR IS TO TAP THE MAIN AND INSTALL WATER SERVICES. THEY SHALL INCLUDE THE CORP STOP, SERVICE PIPE, APPURTENANT FITTINGS, CURB STOP, METER BOX AND COVER.
3. ALL SERVICES SHALL HAVE 3' MINIMUM SEPARATION FROM OTHER SERVICES, JOINTS, VALVES AND FITTINGS.
4. THIS DETAIL IS APPLICABLE TO BOTH AUTHORIZED PERSONNEL OR DEVELOPERS CONTRACTORS.
5. 5/8"x3/4" AND 1" METERS SHALL BE INSTALLED WITH A METER CONNECTOR.
6. 1-1/2" AND 2" WATER METERS SHALL BE INSTALLED WITH A BALL VALVE ON THE DOWNSTREAM SIDE OF THE WATER METER.

REVISED 8/27/2018

CITY OF GLENDALE STANDARD DETAIL		 GLENDALE		WATER SERVICE CONNECTIONS	
APPROVED BY: CITY ENGINEER					DATE: 9/15/2014 REVISED: MARCH 2014
					DETAIL NO. G-642