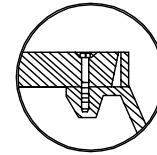
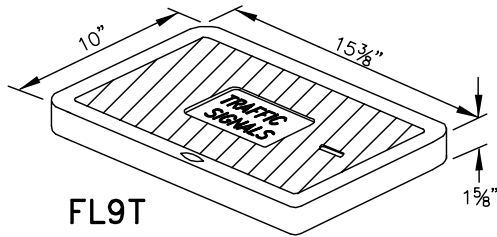
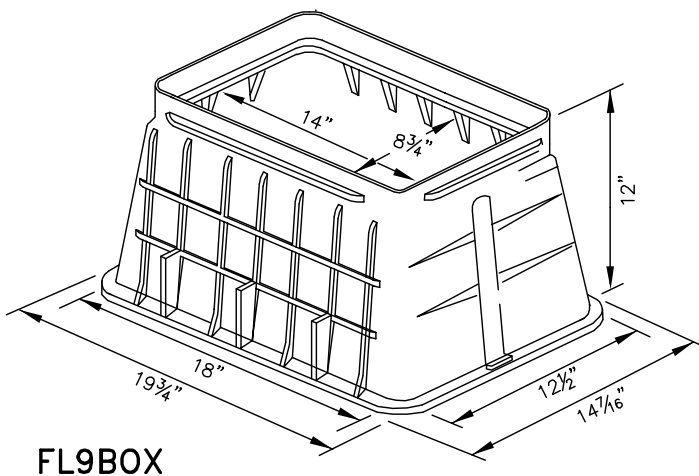


"T" LIDS



STRAIGHT TYPE PENTAHEAD BOLT FOR "T" BOX



NOTES:

1. SEE CITY OF GLENDALE SPECIFICATIONS FOR PULL BOX MATERIAL REQUIREMENTS.
2. SEE STANDARD T2-10 FOR TYPICAL PULL BOX INSTALLATION DETAILS.
3. COVER LETTERING SHALL BE 1" LETTERS. LETTERING SHALL READ "TRAFFIC SIGNALS" FOR TRAFFIC SIGNAL BOXES OR "COG COMMUNICATIONS" FOR ITS/INTERTIE/FIBEROPTIC PULL BOXES.
4. ALL HARDWARE REQUIRED TO SECURE THE LID SHALL BE SUPPLIED BY THE CONTRACTOR.

SPECIFICATIONS
FIBRELYTE FL9 BOX 10"X17" (NO. 3.5)

SPECIFICATIONS OF ACCEPTABLE FIBRELYTE PRODUCTS

CHRISTY ORDERING CODE	ITEM	DESCRIPTION
FL9BOX	BOX	9FL BOX (10"X17" I.D. X 12" HIGH)
FL9T	LID	9FL FIBRELYTE LID, BOLT DOWN

SIGNATURES
ON FILE



CITY OF GLENDALE
TRAFFIC SIGNAL AND ITS STANDARDS

NO. 3.5 FIBRELYTE PULL BOX

REVISION:
6/2007

T2-3